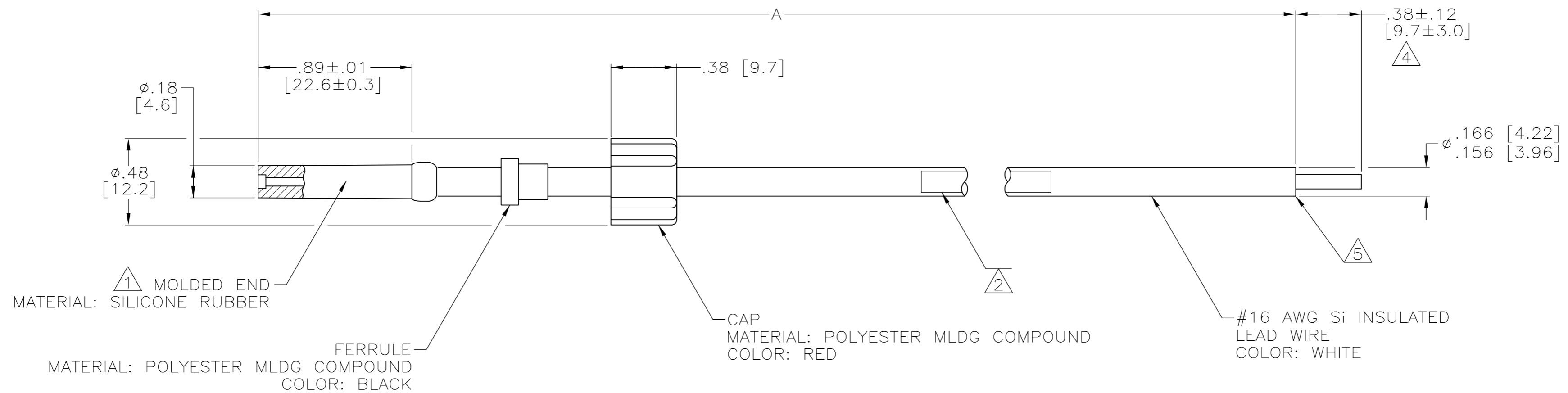


THIS DRAWING IS UNPUBLISHED. RELEASED FOR PUBLICATION - N/A .
 © COPYRIGHT N/A TE Connectivity ALL RIGHTS RESERVED.

REVISIONS				
P	LTR	DESCRIPTION	DATE	APVD
J		REV PER ECO 17-014647	10-10-17	CT DM



5	14.63±.12 [371.6±3.0]	6-863534-4	
5	36.00±.24 [914.4±6.1]	5-863534-9	
5	10.00±.12 [254.0±3.0]	5-863534-3	
4	16.63±.12 [422.4±3.0]	1-863534-6	
OBSOLETE	4	5.63±.12 [143.0±3.0]	1-863534-5
	4	14.63±.12 [371.6±3.0]	1-863534-4
OBSOLETE	4	14.50±.12 [368.3±3.0]	1-863534-3
OBSOLETE	4	9.00±.12 [228.6±3.0]	1-863534-2
	4	20.00±.12 [508.0±3.0]	1-863534-1
OBSOLETE	4	19.00±.12 [482.6±3.0]	1-863534-0
	4	36.00±.24 [914.4±6.1]	863534-9
OBSOLETE	4	24.00±.24 [609.6±6.1]	863534-8
	4	21.00±.12 [533.4±3.0]	863534-7
	4	18.00±.12 [457.2±3.0]	863534-6
	4	15.00±.12 [381.0±3.0]	863534-5
OBSOLETE	4	12.00±.12 [304.8±3.0]	863534-4
	4	10.00±.12 [254.0±3.0]	863534-3
OBSOLETE	4	8.00±.12 [203.2±3.0]	863534-2
OBSOLETE	4	6.00±.12 [152.4±3.0]	863534-1
REMARKS		A	PART NO

- 1 TO MATE WITH AMP LGH 1/2L RECEPTACLE WITH .89 [22.6] BARREL DEPTH
- 2 MARK PER MIL-STD-130.
- 3. OPERATING VOLTAGE: 15 KVDC AT 0 TO 70,000 FEET, -55°C TO 125°C.
- 4 PIGTAILS ARE SOLDER DIPPED.
- 5 INSULATION CUT, BUT NOT REMOVED.

THIS DRAWING IS A CONTROLLED DOCUMENT.		DWN T.SHUEY 29-SEP-89	TE Connectivity	
DIMENSIONS: INCHES [mm]		CHK C.CHEHOVIN 09-OCT-89		
TOLERANCES UNLESS OTHERWISE SPECIFIED:		APVD D.EABY 09-OCT-89	NAME	
0 PLC ± -		PRODUCT SPEC	LEAD ASSY	
1 PLC ± -		APPLICATION SPEC	SGL END, POSITIVE STOP	
2 PLC ± .02 [0.5]			LGH-1/2L	
3 PLC ± -			SIZE	CAGE CODE
4 PLC ± -			A2	00779
ANGLES ± -		WEIGHT	DRAWING NO	
FINISH		0.000000	C=863534	
		CUSTOMER DRAWING	SCALE	SHEET
			2:1	1 of 1
			REV	J